



ELECTRIC MOTORS



Vehicles



Marine



Hybrid



Robotics



Traction



Industrial



✓ EFFICIENT

✓ LIGHT

✓ POWERFUL

PERMANENT MAGNET DC ELECTRIC MOTORS

LIGHT WEIGHT

11kg Weight

EFFICIENT

Up to 93% efficiency

RELIABLE

Limited moving parts

ECO FRIENDLY

No emissions
No fuel

POWERFUL

Available from
12v to 110v

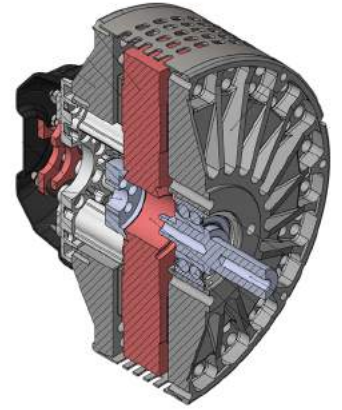
LOW COST

Save on fuel bills

MOTORS LEM-200

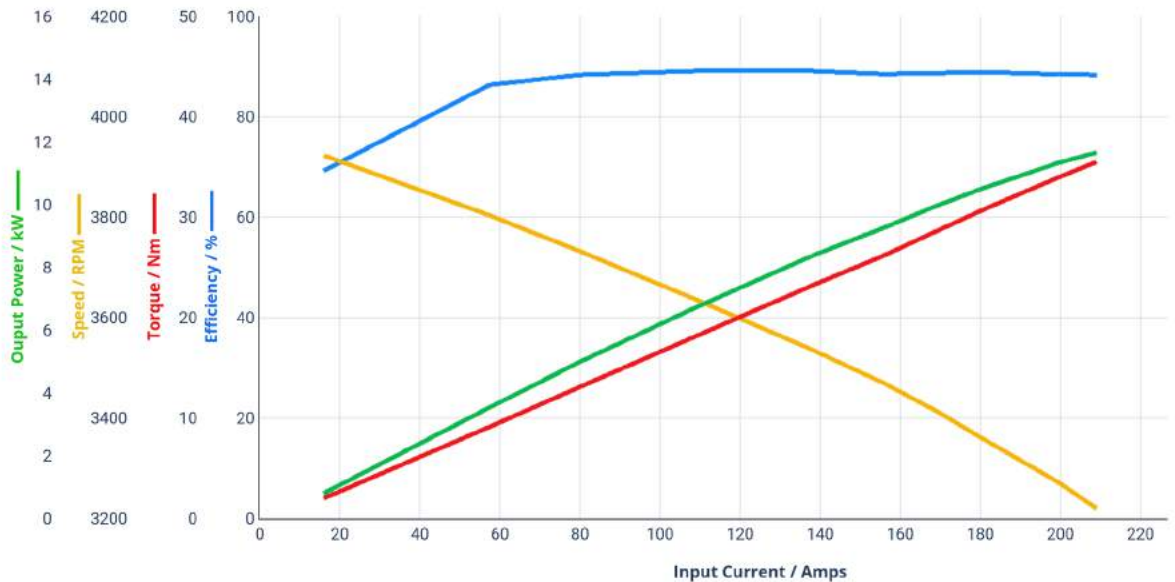
Overview

The LEM-200 is an 8 pole axial gap DC brushed motor suitable for traction and industrial applications.



- Simple electronic control
- Long brush life
- Interchangeable shaft
- Rugged Construction
- CE Marked
- Ip20 rating
- Speed proportional to voltage

Typical Technical Data Curve:



Motor Applications:



Go-Karts



Motorcycles



Golf Carts



Boats



ELECTRIC MOTORS

Lynch Motor Company Ltd.

Unit 4 Flightway Dunkeswell, Honiton, Devon, EX14 4RD

Tel: +0044 (0)1404 892940

Fax: +0044 (0)1404 891990

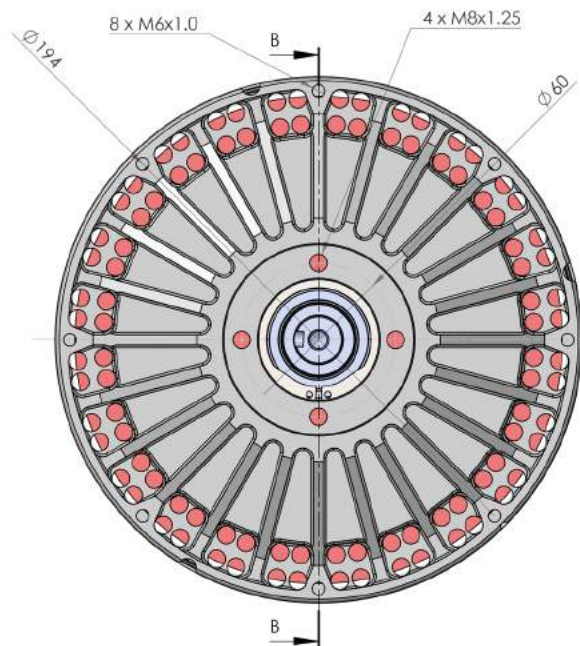
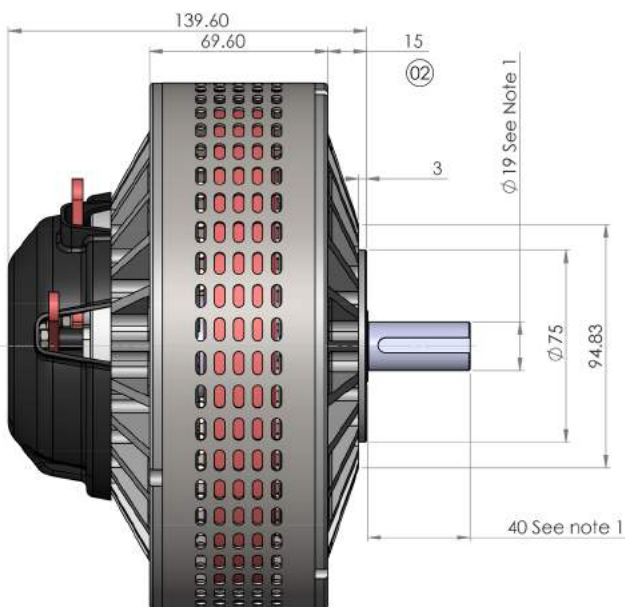
info@lynchmotors.co.uk

MOTORS LEM-200

The LEM-200 is an 8 pole axial gap DC brushed motor suitable for traction and industrial applications.



Motor	No load Current	Torque Constant	Speed Constant	Armature Resistance DC	Armature Inductance @ 15kHz	Armature Inertia	Peak Power	Peak Efficiency	Peak Current	Rated Power	Rated Speed	Rated Voltage	Rated Current	Rated Torque
	A	Nm/A	Rpm/V	mΩ	μH	Kgm ²	KW	%	A	kW	Rpm	V	A	Nm
95	6	0.113	81	21.5	22	0.0238	18	92	400	10	3888	48	220	28
127	5	0.15	60	22.5	23	0.0236	16.08	89	400	8	2880	48	200	31.5
D95B	6	0.14	76	20.5	11	0.0238	28.50	92	400	15.00	5472	72	210	30
D126	5	0.0748	104	138	5	0.0234	11.14	81	400	6	3744	36	250	18.3
D127	4	0.17	52	17.5	13	0.0236	25.38	92	400	13	3600	72	200	33.3
D135	3.5	0.185	45	16.75	16	0.0236	29.04	93	400	14	3780	84	200	36.4
D135 RAG	7.36	0.207	42	16.95	16	0.0238	34.32	93	400	16	4032	96	200	39.9
D135 RAGS	7.45	0.21	40	16.95	16	0.0238	36.00	93	400	18.00	4400	110	200	42.0



Additional Information:

All Lynch motors come with a 2 year warranty and are fully tested before delivery to our customer. Each motor is built to order in our UK factory by our skilled team, lead times for orders are dependent on volume and current order book, please ask for a production time frame when ordering. We are happy to discuss your application requirements with you, any recommendations our team make are based on the information you provide us.